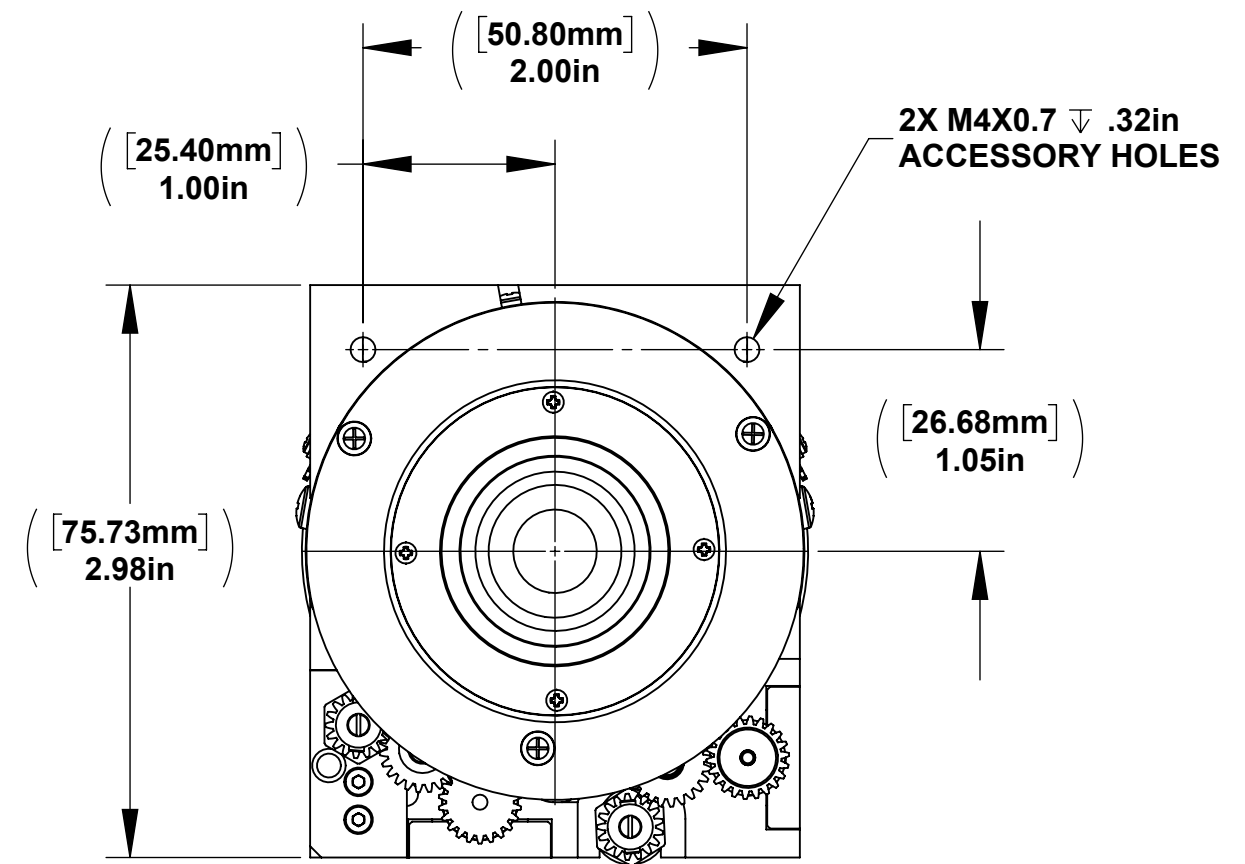
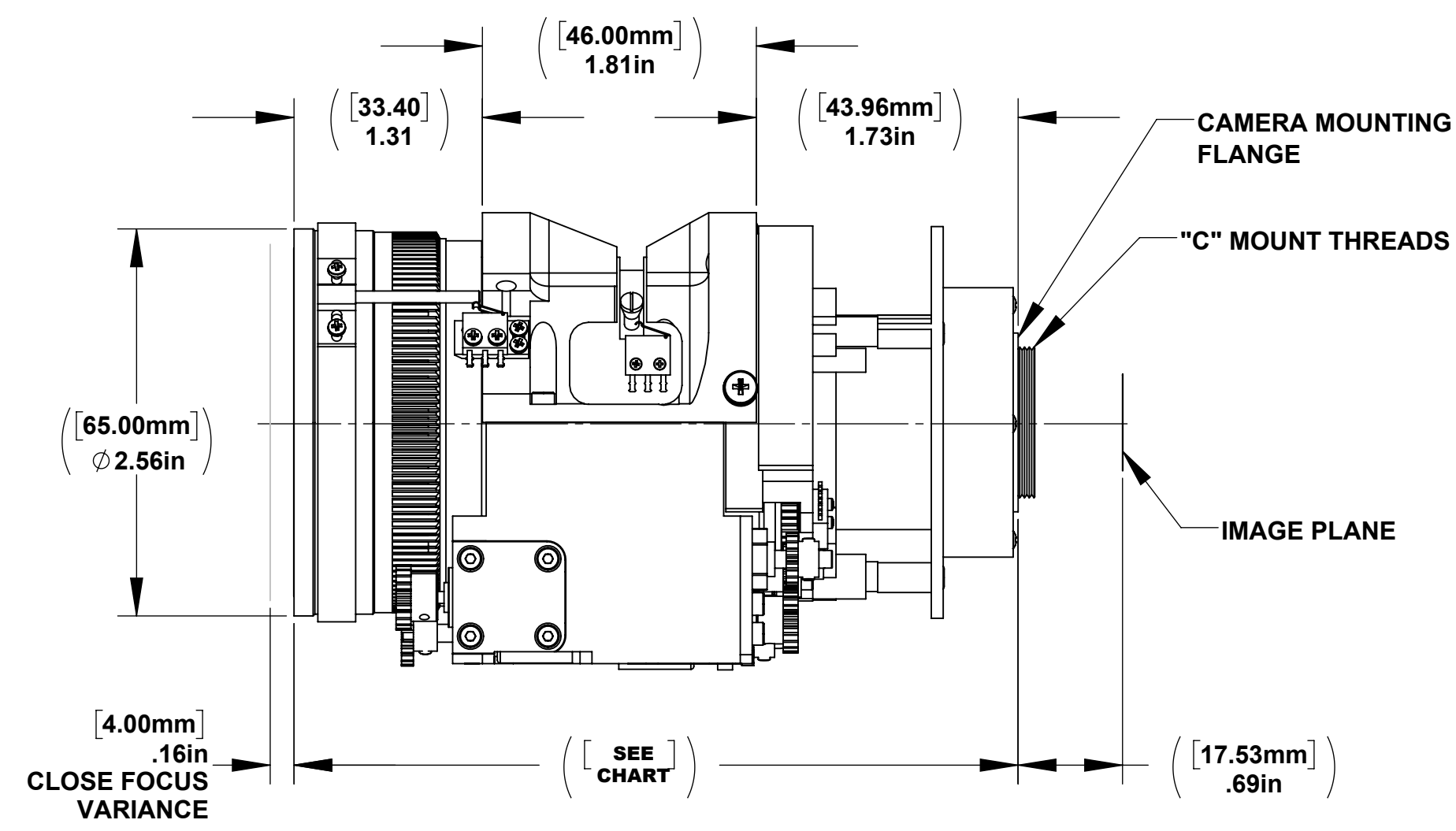
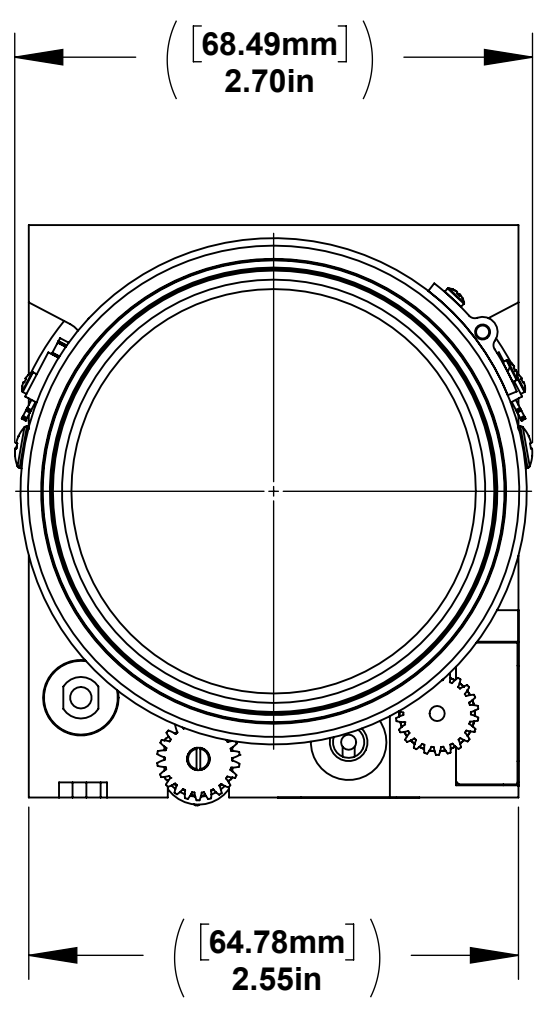


REFERENCE VIEW
SCALE: NONE



| Ratio | Part Number | Focal Length | Aperture | CCD | HFOV Wide | HFOV Tele | Length Max (mm) | Width (mm) | Height (mm) | Objective OD (mm) | Filter Thread | Weight (Kg) |
|-------|--------------------|--------------------|----------|------|-----------|-----------|-----------------|--------------------|-------------|-------------------|---------------|-------------|
| 9X | 9X121 | 12.1 mm - 120.0 mm | f 1.80 | 1/2" | 29.6 | 3.06 | 123.3 | \varnothing 67.0 | 77.7 | 65.0 | M62 x .75 | 0.58 |
| | | | | 1/3" | 22.4 | 2.29 | | | | | | |
| | | | | 2/3" | 27.2 | 2.8 | | | | | | |
| | 9X182 | 18.2 mm - 180.0 mm | f 2.7 | 1/2" | 19.9 | 2.04 | 129.9 | | | | | |
| | | | | 1/3" | 15.00 | 1.53 | | | | | | |
| | | | | 1" | 30.5 | 3.15 | | | | | | |
| 9X242 | 24.2 mm - 240.0 mm | f 3.6 | 2/3" | 20.6 | 2.1 | 134.7 | | | | | | |
| | | | 1/2" | 15.1 | 1.23 | | | | | | | |
| | | | 1/3" | 11.3 | 1.15 | | | | | | | |

NOTICE

THIS DRAWING AND THE SUBJECT MATTER DISCLOSED HEREIN ARE PROPRIETARY ITEMS TO WHICH GRAFLEX INC. RETAINS THE EXCLUSIVE RIGHT OF DISSEMINATION, REPRODUCTION, MANUFACTURE AND SALE. THE DRAWING, PRINT OR DOCUMENT IS SUBMITTED IN CONFIDENCE FOR CONSIDERATION BY THE RECIPIENT ALONE UNLESS PERMISSION FOR FURTHER DISCLOSURE IS EXPRESSLY GRANTED IN WRITING.

GRAFLEX INCORPORATED
15855 Assembly Loop Suite 100 - Jupiter, FL 33478
(561) 691-5959 fax (561) 691-5983

TITLE
9XA SERIES MOTORIZED ZOOM LENS

| | | | |
|------|-----------|--------|-----|
| SIZE | CAGE CODE | DWG NO | REV |
| C | 00ZS7 | | - |

DATE: 12-13-2017

SCALE 1:1

BOB TOSI

SHEET 1 OF 1